

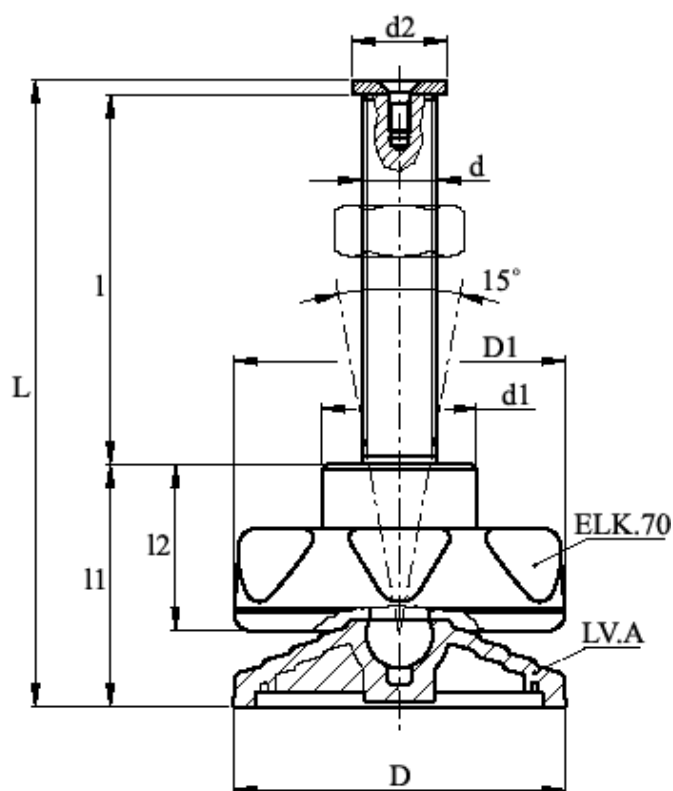
Data Sheet



Article number: 2310304118

Description: E+G Levelling element
LV.A-70-14-M16x78-ELK

Measures



Ball size = 14	l_1	= 51
d = M16	l_2	= 35
D = 70	Max load (N)	= 14000
d_1 = 33		
D_1 = 70		
d_2 = 20		
l = 78		
L = 132		